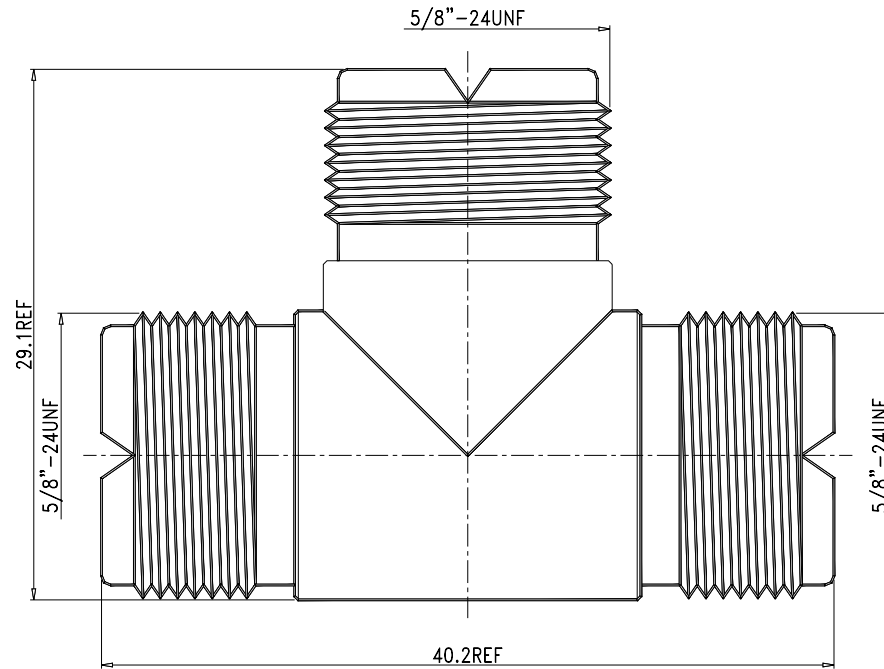


REVISION

REV	DATE	DESCRIPTION
△	7/23/2020	INITIAL



5.	INSULATION	DELRIN	3	NONE
4.	PIN2	BRASS	1	SILVER
3.	PIN1	BRASS	1	SILVER
2.	BODY2	BRASS	1	NICKEL
1.	BODY1	BRASS	1	NICKEL
NO.	DESCRIPTION	MATERIAL	Q'TY	FINISH

UNITS	SCALE	SIZE	TOLERANCE	DRAWN BY:	CHECKED BY:	CAD FILE
[in] mm	NTS	A	.X +/- 0.2 .XX +/- 0.1 .XXX +/- 0.05 ANGLE +/- 0.5			17-14-DSN
SHEET 1 OF 1						

PROPRIETARY AND CONFIDENTIAL
 THE INFORMATION IN THIS DRAWING IS THE SOLE PROPERTY OF TCC INDUSTRIES INC. ANY REPRODUCTION IN PARTS OR AS A WHOLE WITHOUT THE WRITTEN PERMISSION OF TCC INDUSTRIES INC. IS PROHIBITED.

DESCRIPTION
UHF Tee Adapter UHF Female to UHF Female to UHF Female



TCC INDUSTRIES INC.
 7050 Village Drive unit E, Buena Park, CA 90621-2282
 Tel. 714.523.8885 - FAX. 714.562.0888
 E-Mail: info@tcinc.com Website: www.tcinc.com